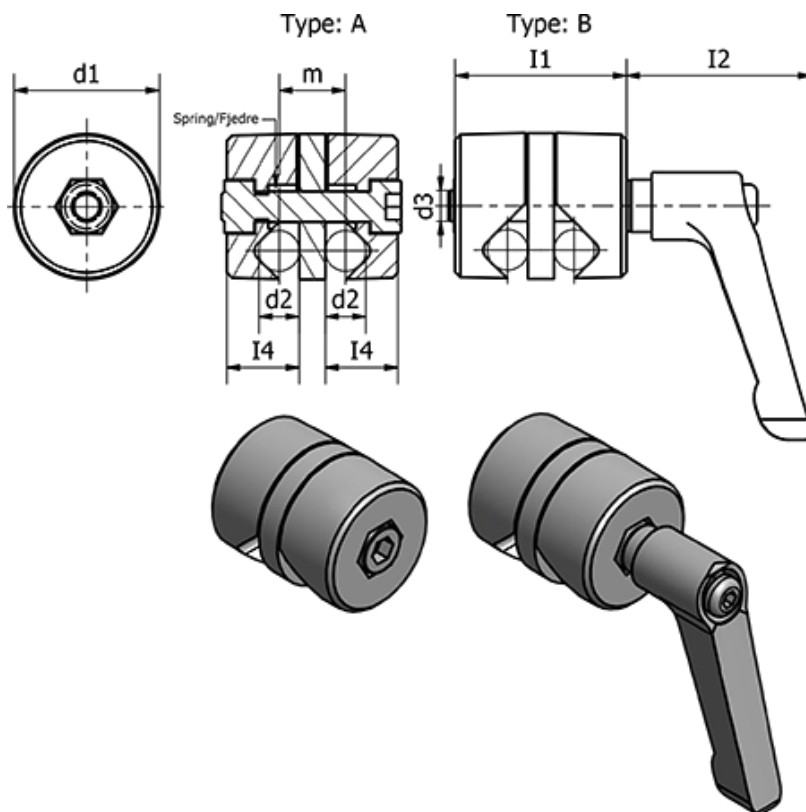


Article number: 204903612BSW

Description: E+G Clamp mounting - GN 490-36-12-B-SW

Measures



$d_1 = 36$

$m = 17$

$d_2 = 12$

Weight (g) = 195

$d_3 = M8$

$I_1 = 47$

$I_2 = 45$

$I_3 = 63$

$I_4 = 21$

$I_5 = 5$